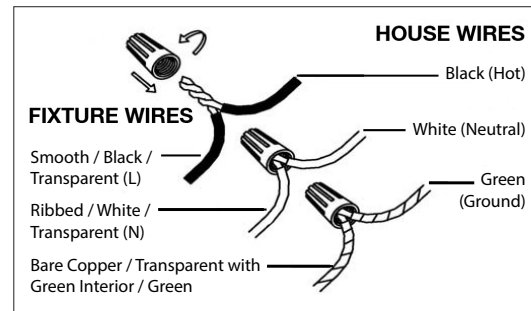
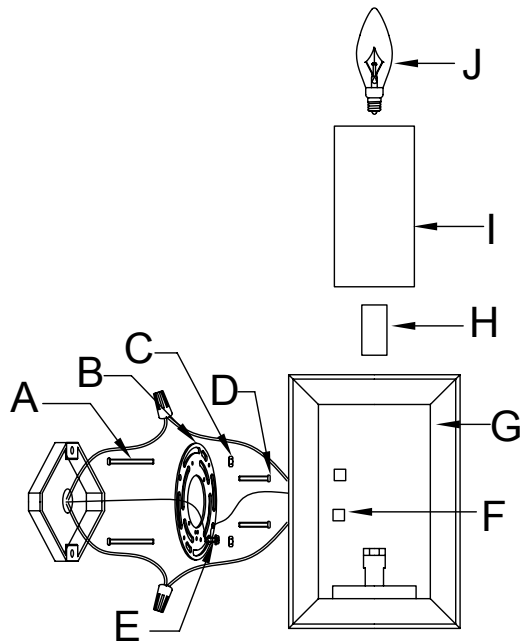


Assembly Instructions: 2073-1W, 2074-1W (Smyth)

IMPORTANT:

- ALL INSTALLATION WORK SHOULD BE DONE BY ACCREDITED PROFESSIONAL.
- SHUT OFF POWER SUPPLY AT FUSE OR CIRCUIT BREAKER!
- USE ONLY THE SPECIFIED BULBS. DO NOT EXCEED THE MAXIMUM WATTAGE!

For Customer Service, contact the place of purchase.



PREPARING FOR INSTALLATION

Remove all of the contents from the carton. See the important notes above. Shut off the power at the circuit breaker and completely remove the old fixture from the wall, including the old mounting strap.

Mounting strap (B) contains several pairs of threaded holes. Find the pair of holes that matches the spacing of the holes on the junction box and the backplate. Two of mounting screws (A) should be attached to mounting strap (B). You may need to tighten the nuts that hold these screws in place. Pull the house wires through the center of mounting strap (B). Place mounting strap (B) over the junction box so that mounting screws (A) are horizontal, and in alignment with the locations of the holes on backplate (G). Secure mounting strap (B) to the junction box with mounting screws (D) and a screwdriver. Tighten the screws securely.

CONNECTING THE WIRES

Attach the fixture's wires to the power supply wires from the junction box. Connect black (hot) to smooth/black/transparent (L); white (neutral) to ribbed/white/transparent (N); ground (green) to bare copper/green/transparent with green interior. Twist the ends of the wire pairs together, and then twist on a wire connector. Make sure all twists are in the same direction. If there is no ground wire (green or copper) from the junction box, locate ground screw (E) on the mounting bracket/mounting strap and wrap the fixture's ground wire around the green ground screw (E). Use a screwdriver to secure ground screw (E) onto the mounting bracket/mounting strap. Tuck all wires neatly into the junction box.

FINISHING THE INSTALLATION

Place backplate (G) over mounting screws (A) so that mounting screws (A) protrude through the holes in the front of the backplate. Thread deco nuts (F) onto mounting screws (A). Twist until backplate (G) is snug against the wall.

Note: Complete the remaining steps **after** the fixture has been hung.

Carefully slide candle sleeve (H) over the socket. Slide glass shade (I) over the socket and secure by pushing the glass down onto the socket fitter.

Install light bulb (J) in accordance with the fixture's specifications. Do not exceed the maximum recommended wattage.

CLEANING TIPS

Treat the fixture gently! Regular cleaning will reduce the need for deep cleaning. For regular cleaning, turn off the light and wipe down the fixture with a clean lint-free cotton or microfiber cloth. Never spray cleaner directly onto the fixture.